



SKUTT

Front Loader Series

Perfect for Potters and Schools

Built-in Vent

EnviroVent 2 included. Exits fumes from classroom and improves firing results.

Automatic Power Shut-off Switch

Power is shut-off to the kiln when the door is opened automatically.

Zone Control Standard

3 Zone control standard for more even firing results.

KilnMaster Controller

Easy to program, KilnLink ready with built in diagnostics.

Elements in the Floor

Many kilns fire cool on the bottom. This one won't.

Light Weight Door and Roof Design

Fiber roof and door provide improved insulation and life.

Easy Change Element Design

Elements are faster, easier to change so they will save you money on kiln maintenance.

Durable/Reflective Fiber Coating

Fiber is coated with a refractory paint that strengthens the fiber and improves heat uniformity.



KM14F

Additional Models Available



Solid State Relays

Solid State relays are standard for long life and limited maintenance.

Built-In Heavy Duty Zinc Coated Stand

This heavy duty zinc coated stand is built-in for added strength and stability.

Innovative Wall Design

Wall design combines brick, fiber and air to provide maximum durability and efficiency.

Sized to Fit Through Standard Doorway

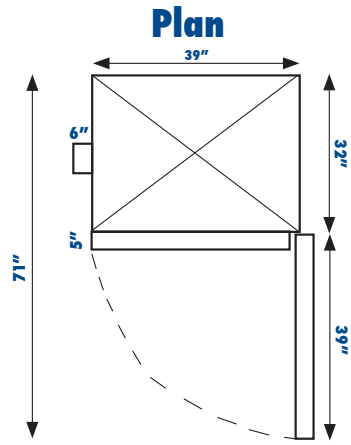
Remove the door (4 Bolts) and the model KM14F will pass through a 32" doorway.



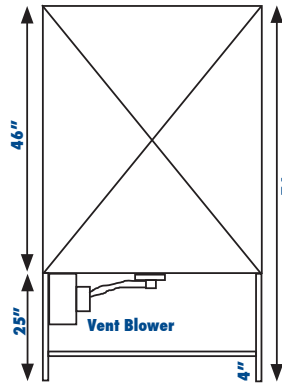
MODEL	PHASE	VOLTS	AMPS	WATTS	CONE	TEMP	CU. FT.	HEIGHT	WIDTH	DEPTH	SHIPPING WT.	COPPER WIRE SIZE	BREAKER SIZE	NEMA RECEPTACLE CONFIG
KM14F	1	240	70	17000	10	2350	14	36"	26.5"	24.75"	1100 LBS	3	90	DIRECT WIRE
	1	208	82	17000	10	2350	14	36"	26.5"	24.75"	1100 LBS	2	110	DIRECT WIRE
	3	240	40	17000	10	2350	14	36"	26.5"	24.75"	1100 LBS	8	50	DIRECT WIRE
	3	208	48	17000	10	2350	14	36"	26.5"	24.75"	1100 LBS	6	60	DIRECT WIRE
KM16F	1	240	80	19000	10	2350	16	36"	26.5"	28.0"	1100 LBS	3	100	DIRECT WIRE
	1	208	92	19000	10	2350	16	36"	26.5"	28.0"	1100 LBS	1	125	DIRECT WIRE
	3	240	46	19000	10	2350	16	36"	26.5"	28.0"	1100 LBS	6	60	DIRECT WIRE
	3	208	53	19000	10	2350	16	36"	26.5"	28.0"	1100 LBS	4	70	DIRECT WIRE

For more information on Skutt Kilns or to find a distributor, visit us at www.skutt.com or call us directly at 503.774.6000

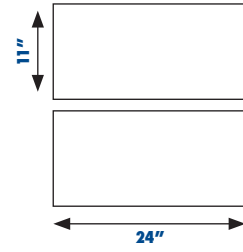
KM 14F



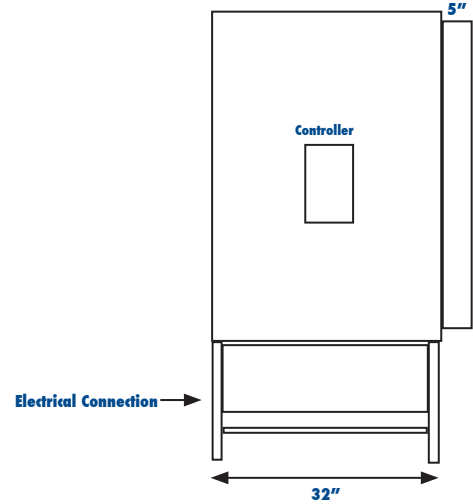
Elevation



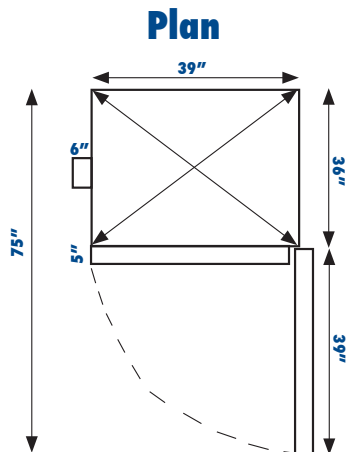
Shelf Plan



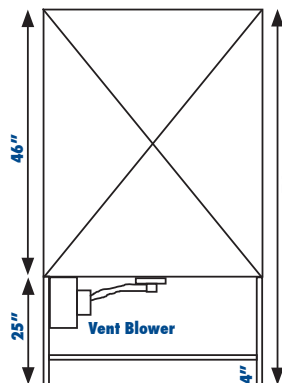
Side View



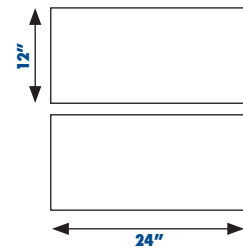
KM 16F



Elevation



Shelf Plan



Side View

