



SKUTT

KilnLink™

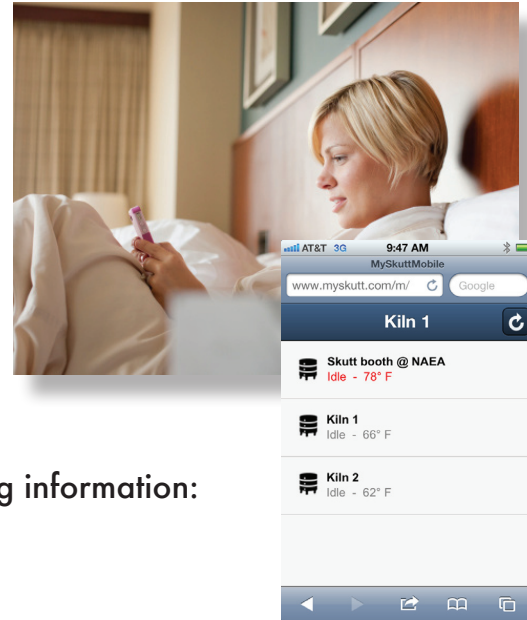
Perfect for Schools

What is KilnLink

KilnLink is a cloud based Kiln Monitoring System that allows you to check the status of your kiln from anywhere you have access to the internet.

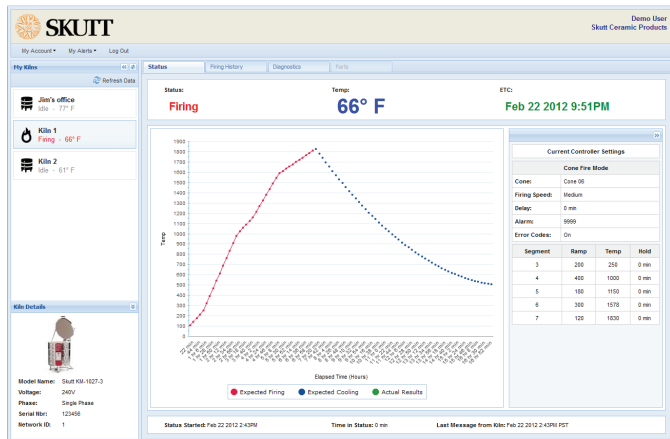
How Does it Work

KilnLink connects your kiln to the internet and feeds information from each firing in real time to the KilnLink Database. Authorized users just log on to their account using a computer or smart phone connected to the internet. You can even set it up to send you Email or Text alerts.



What Type of Information Can I Obtain

The easy to navigate screens will allow you to find the following information:



Current Status

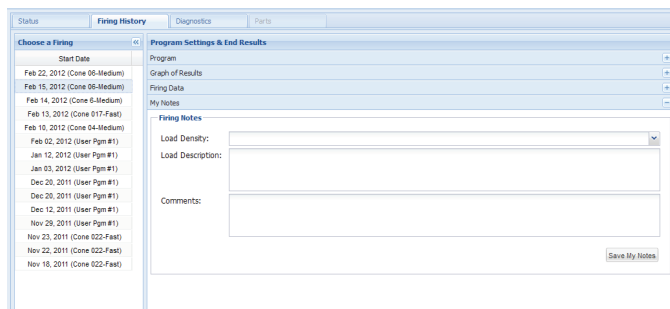
- Current Temperature
- List of Kilns Connected
- Graph of Firing
- Kiln Details
- Current Program
- Communication Info

Know what you kiln is doing at all hours of the day no matter where you are. You can check the current temperature, view a graph of the firing, even check multiple kilns. The peace of mind you will gain from knowing your kiln is safely off is invaluable.

Firing History

- Graphs of Every Firing
- Firing Costs
- Programs Run
- Firing Notes
- Start and End Times
- Performance

All of your firings are logged on the server so you can go back and check your notes to see what has worked in the past. You can also monitor the costs of your electrical use for budgeting purposes.



My Kilns		Status	Firing History	Diagnostics	Parts		
Jim's office Idle - 78° F							
Kiln 1 Firing - 122° F							
Kiln 2 Idle - 61° F							
Kiln Diagnostic Data							
Date/Time	Status	Amps 1	Amps 2	Amps 3	Voltage - No Load	Voltage - Full Load	Voltage 1
Feb 22 2012 2:58PM	Firing	18	16	19	249	240	1666
Feb 22 2012 2:42PM	Firing Complete	18	16	19	251	240	1677
Feb 15 2012 10:08PM	Firing	18	16	19	251	240	1677
Feb 15 2012 2:57PM	Idle	18	16	19	251	240	1666
Feb 15 2012 2:56PM	Firing Complete	18	16	19	251	240	1666
Feb 14 2012 8:13PM	Firing	18	16	19	251	240	1666
Feb 14 2012 9:39AM	Firing Complete	18	16	19	250	240	1666

Diagnostics

- Amperage Readings by Section
- Voltage Readings



Checking the amperage and voltage of your kiln is necessary at times in order to diagnose problems and anticipate maintenance. This can be expensive to hire a professional. With KilnLink all of that data is logged without even having to open the control box.

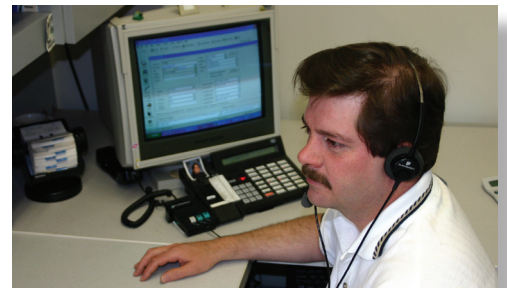
Why Should My School Buy KilnLink

Save Time and Gain Freedom

It seems everyday our schedules get tighter and tighter. Most teachers are required to monitor their kilns. KilnLink gives teachers the freedom to know what is going on with their kiln without having to go to the kiln room. That means more time with the students and more freedom for the teacher. Often times it is not realistic to keep a teacher at school for the entire length of a kiln firing. KilnLink can keep Ceramics a viable option for schools. Art Coordinators can even be authorized to view all the kilns in their district.

Save Money and Down Time

Kiln Maintenance can be expensive and unpredictable. With KilnLink Skutt technicians can pull up all the data they need to diagnose your kiln and avoid multiple trips from your kiln repair contractor. Your contractor can also be authorized so they can evaluate each kiln for future maintenance and handle problems before they happen.



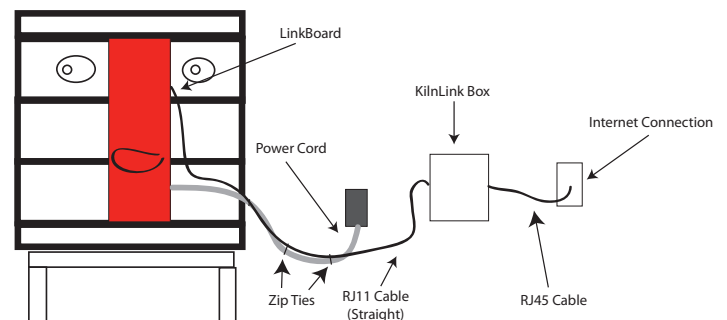
How Do We Get Started

Contact Skutt

Skutt representatives can help you get started whether you are adding a single system to your home or converting an entire school district. When you call Skutt we will help you evaluate your current inventory of kilns and work with a local distributor to get you a quote.

Installation

Once the quote has been approved we will work with a local distributor to install the systems. Some kilns may require controller upgrades depending on their age. Once the systems are in place we will help guide you through activating each location, authorizing users, and setting up alerts. After that you are up and ready to go.



Contact Skutt today to find out how you can get KilnLink for your Classroom

For more information on Skutt Kilns or to find a distributor, visit us at www.skutt.com or call us directly at 503.774.6000

www.continentalclay.com