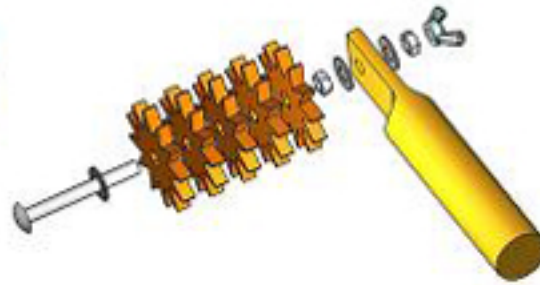


How to Use The Steve™ Tool

One Tool ~ Many Results

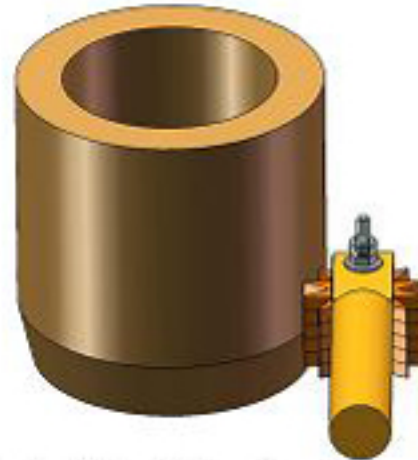
For Wild Texture on Pots!



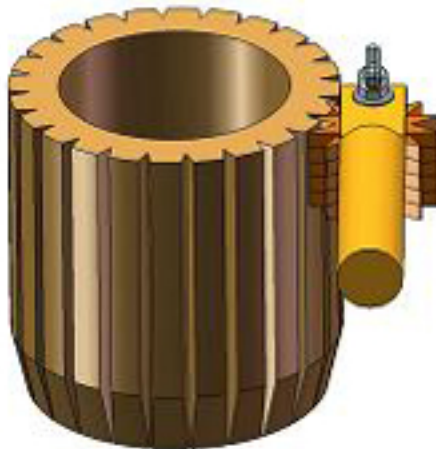
1. Pick a configuration you want to use, assemble. Make sure the wheels roll easy.



2. Throw a cylinder, scrape the walls clean with a rib



3. Start at the bottom (or top) and roll the texture onto the cylinder while the wheel spins. All of it, part of it, your choice!



4. Finish the texture wherever you want. Top, midway, it's up to you.



5. Stretch out the pot from ONLY the inside. It's your shape, stop where you want.